



TECHNICAL DATA SHEET

5.56 FN EVOLYS MMR/BLANK KIT

Identifiers

Calibre (UTM Ammunition): 5.56mm

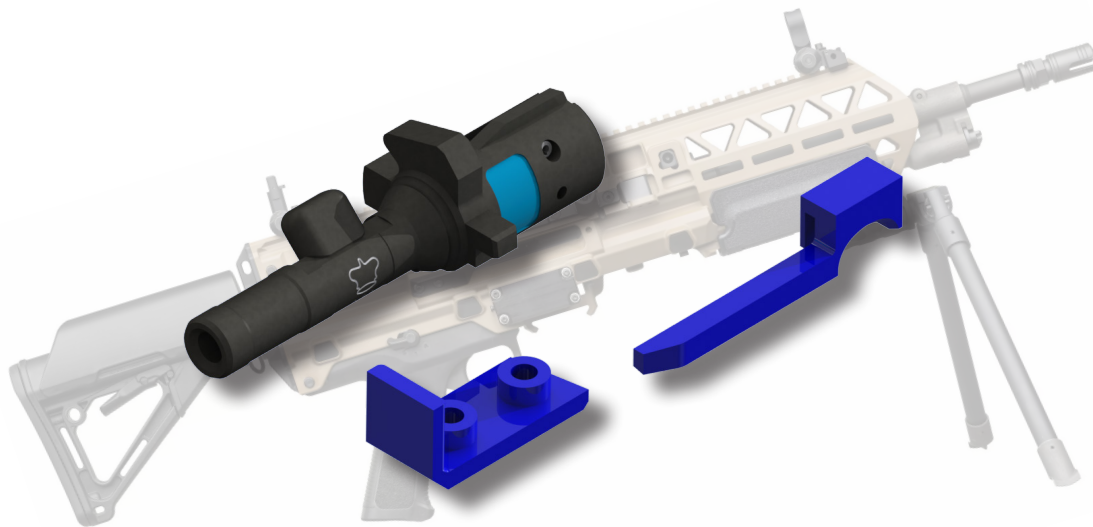
Origin: [United Kingdom/United States](#)

P/N: 01-4985

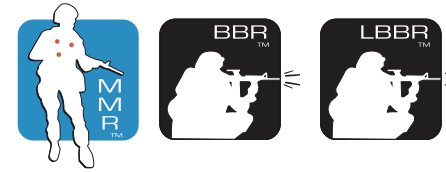
NSN (NATO): TBC

Gross Package: [Plastic Case. 130mm \(5.0in\) x 36mm \(1.42in\) x 36mm \(1.42in\)](#)

[Gross Weight 0.110kg \(0.25lb\)](#)



Compatible UTM Ammunition Types



Kit Contents

The Conversion Kit consists of a replacement Bolt assembly, feed tray adaptor & deflector.

Operational Data

Operation: [All firing modes of host weapon.](#)

Feed: [Belt \(100 Rounds\).](#)

Rate of Fire: [Equivalent to standard Live ammunition.](#)

Safety Features

- Offset firing pin.
- Non-Locking bolt head; direct blowback only.
- Blue indicators for easy identification the training bolt is installed.

Warranty

UTM warrants that all firearm conversion kits will be free of defects in design, workmanship and materials, for a period of twenty-four (24) months following the date of delivery.

Guidelines & Warnings

- UTM converted weapons must be fired "clean and dry" in the weapon bore and barrel. **NO LUBRICATION IN THE BARREL.**
- Keep all ammunition out of reach of children.
- UTM assumes no responsibility for injuries, loss or damage resulting from misuse of this or any of its products.

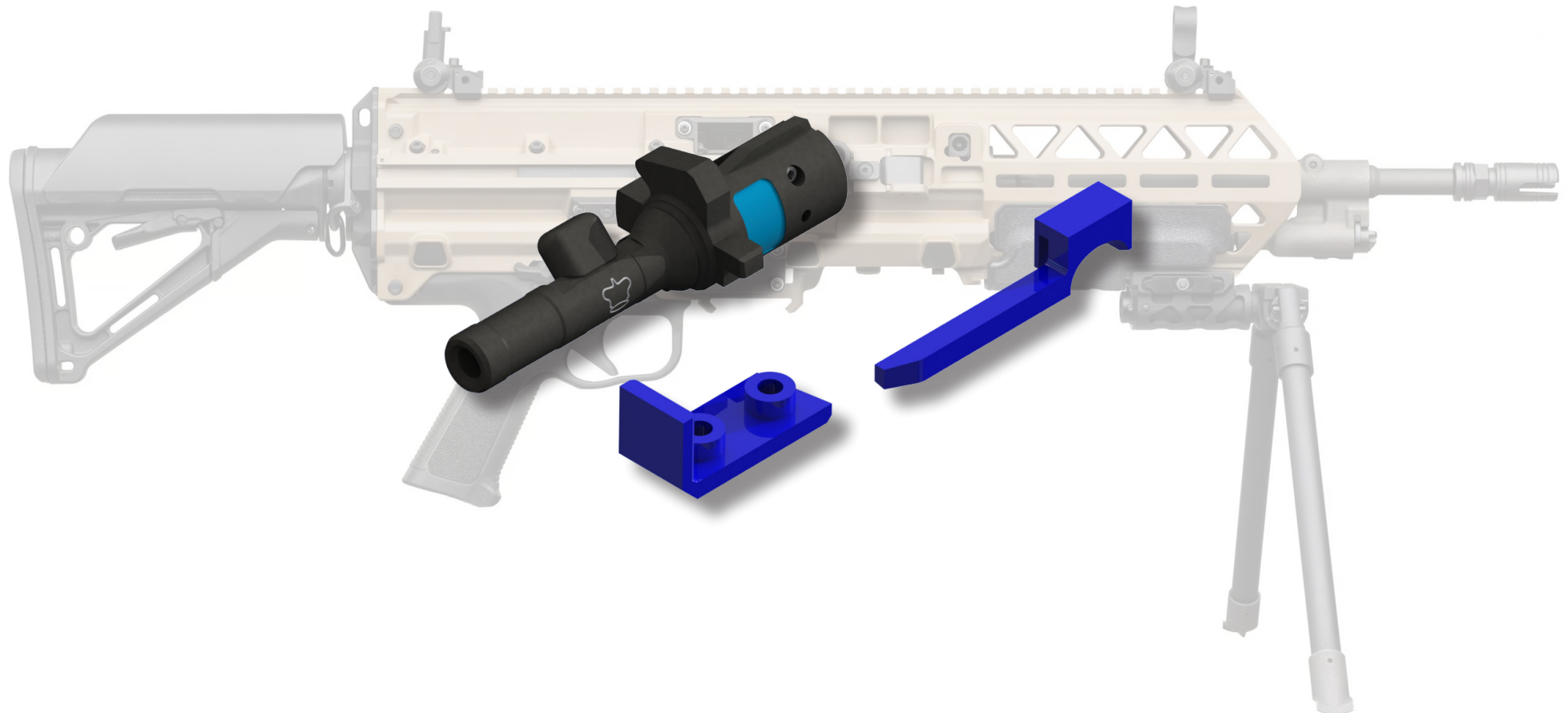
When converting back to 'Duty' use, ensure that the chamber and bore have been cleaned, cleared of all debris, objects or projectiles and inspected before firing a live round. Failure to ensure that the barrel of the host weapon is free from obstruction could result in damage to the barrel and/or injury to the operator.

European Patent number: 1228342 additional patents pending. US patent numbers: 6253682, 6371028, 6427600, 6095051, 6378439, 6422149, 6415718, 6564719 UTM, Ultimate Training Munitions, and the "Breech" logo design are trademarks belonging to UTM Ltd.



TECHNICAL DATA SHEET

5.56 FN EVOLYS MMR/BLANK KIT



Disclaimer: Information contained in this publication is provided only for your convenience and is subject to change without notice. UTM MAKES NO REPRESENTATIONS OR WARRANTIES OF ANY KIND WHETHER EXPRESS OR IMPLIED, WRITTEN OR ORAL, STATUTORY OR OTHERWISE, RELATED TO THE INFORMATION, INCLUDING BUT NOT LIMITED TO ITS CONDITION, QUALITY, PERFORMANCE, MERCHANTABILITY OR FITNESS FOR PURPOSE. UTM disclaims all liability arising from this information and its use. Use of UTM's products is entirely at the buyer's risk, and the buyer agrees to defend, indemnify and hold harmless UTM from any and all damages, claims, suits, or expenses resulting from such use. No licenses are conveyed, implicitly or otherwise, under any UTM intellectual property rights.

European Patent number: 1228342 additional patents pending. US patent numbers: 6253682, 6371028, 6427600, 6095051, 6378439, 6422149, 6415718, 6564719 UTM, Ultimate Training Munitions, and the "Breech" logo design are trademarks belonging to UTM Ltd.